

CITY and COUNTY PROPOSITIONS

To be voted on at the
CONSOLIDATED PRIMARY AND
SPECIAL MUNICIPAL ELECTION
TUESDAY, JUNE 5, 1956



Published under provisions of Section 183 of the
Charter of the City and County of San Francisco.

Thos. A. Toomey,
Registrar of Voters.

INDEX TO CITY AND COUNTY PROPOSITIONS

	Page
A. — Hall of Justice Bonds, 1956.....	5
B. — Amends charter relating to membership in Health Service System.....	11
C. — Amends charter relating to nomination of elective municipal officers....	16
D. — Amends charter relating to salary of members of Board of Supervisors..	18
E. — Amends charter relating to prohibited practices of officers and employees	20
F. — Amends charter relating to relinquishment of certain retirement allowances	22

SPECIAL NOTE:

In order to avoid congestion and possible delay at the polls on election day voters are urged to:

1. Use the polling place card enclosed herewith. Mark your choices for the various offices and propositions. **TAKE THE CARD WITH YOU TO THE POLLS** and you can complete your voting in less than **ONE MINUTE**.

2. Vote early, if possible.

THOS. A. TOOMEY,
Registrar of Voters.

Permanent registration is maintained by **VOTING**.
Voters who fail to vote this year will have their registration **CANCELLED**.

PROPOSITION A

HALL OF JUSTICE BONDS, 1956. To incur a bonded indebtedness in the sum of \$19,475,000 for the acquisition, construction and completion of a hall of justice, including lands, properties and all other works, properties and appurtenances necessary or useful for such hall of justice, all within the City and County of San Francisco.

File No. 14275-1

Ordinance No. 9633

(Series of 1939)

CALLING AND PROVIDING FOR A SPECIAL ELECTION TO BE HELD IN THE CITY AND COUNTY OF SAN FRANCISCO ON TUESDAY, JUNE 5, 1956, FOR THE PURPOSE OF SUBMITTING TO THE VOTERS OF THE CITY AND COUNTY OF SAN FRANCISCO A PROPOSITION TO INCUR A BONDED DEBT OF THE CITY AND COUNTY TO THE AMOUNT OF \$19,475,000 FOR THE ACQUISITION, CONSTRUCTION AND COMPLETION BY THE CITY AND COUNTY OF SAN FRANCISCO OF THE FOLLOWING MUNICIPAL IMPROVEMENT, TO WIT: BUILDINGS, LANDS, STRUCTURES AND ALL OTHER WORKS, PROPERTIES AND APPURTENANCES NECESSARY OR CONVENIENT FOR THE CONSTRUCTION WITHIN THE CITY AND COUNTY OF SAN FRANCISCO OF A HALL OF JUSTICE, TO CONTAIN ADMINISTRATIVE OFFICES, BUREAUS AND DIVISIONS OF THE POLICE DEPARTMENT, PRISONS, COURTROOMS FOR TRAFFIC, MUNICIPAL AND SUPERIOR COURTS, THE HOUSING OF THE DISTRICT ATTORNEY, ADULT PROBATION OFFICER, PUBLIC DEFENDER, DIVISION OF THE COUNTY CLERK, CORONER, SHERIFF AND ALL RELATED UNITS OF SAID OFFICES, AND SUCH OTHER OFFICES, BUREAUS AND DEPARTMENTS THAT DEAL WITH THE ENFORCEMENT OF CRIMINAL LAWS, AND THAT THE ESTIMATED COST TO THE CITY AND COUNTY OF SAID MUNICIPAL IMPROVEMENT IS AND WILL BE TOO GREAT TO BE PAID OUT OF THE ORDINARY ANNUAL INCOME AND REVENUE OF THE CITY AND COUNTY AND WILL REQUIRE AN EXPENDITURE GREATER THAN THE AMOUNT ALLOWED THEREFOR BY THE ANNUAL TAX LEVY; ALL IN ORDER TO DO AND PERFORM ANY AND ALL OF THE MATTERS HEREINABOVE REFERRED TO FOR THE ACQUISITION, CONSTRUCTION AND COMPLETION OF A HALL OF JUSTICE; FIXING RATE OF INTEREST OF SAID BONDS AND PROVIDING FOR THE LEVY AND COLLECTION OF TAXES TO PAY BOTH PRINCIPAL AND INTEREST THEREOF, PRESCRIBING NOTICE TO BE GIVEN OF SUCH ELECTION AND CONSOLIDATING THE SPECIAL ELECTION WITH THE PRESIDENTIAL PRIMARY ELECTION.

Be it ordained by the People of the City and County of San Francisco:

Section 1. A special election is hereby called and ordered to be held in the City and County of San Francisco on Tuesday, the 5th day of June, 1956, for the purpose of submitting to the electors of said city and county a proposition to incur a bonded indebtedness of the City and County of San Francisco in the principal amount of \$19,475,000 for the acquisition, construction and completion by the City and County of San Francisco of the following municipal improvement, to wit: Buildings, lands, structures and all other works, properties and appurtenances necessary or convenient for the construction within the City and County of San Francisco of a Hall of Justice, to contain administrative offices, bureaus and divisions of the Police Department, prisons, courtrooms for traffic, municipal and superior courts, the housing of the District Attorney, Adult Probation Officer, Public Defender, Division of the County Clerk, Coroner, Sheriff and all related units of said offices, and such other offices, bureaus and departments that deal with the enforcement of criminal laws.

Section 2. The estimated cost of the municipal improvement described herein was fixed by the Board of Supervisors by Resolution No. 16550 (Series of 1939), passed by more than two-thirds of said board, and approved by the Acting Mayor in the sum of \$19,475,000, and such sum is, and was found by said resolution to be, too great to be paid out of the ordinary annual income and revenue of the city and county, in addition to the other annual expenses thereof or other funds derived from taxes levied for that purpose and will require an expenditure greater than the amount allowed therefor by the annual tax levy.

The method and manner of payment of the estimated cost of the municipal improvement described herein are by the issuance of bonds of the City and County of San Francisco in the principal amount specified in Section 1 hereof.

Section 3. The special election hereby called and ordered to be held shall be held and conducted and the votes thereat received and canvassed, and the returns thereof made and the result thereof ascertained, determined and declared as herein provided and in all particulars not herein recited said election shall be held according to the laws of the State of California providing for and governing elections in the City and County of San Francisco, and the polls for such election shall be and remain open during the time required by said laws.

Section 4. The said special election hereby called shall be and hereby is consolidated with the Presidential Primary Election to be held Tuesday, June 5, 1956, and the voting precincts, polling places and officers of election for said Presidential Primary Election be and the same are hereby adopted, established, designated and named, respectively, as the voting precincts, polling places and officers of election for said special election hereby called, and as specifically set forth, in the official publication, by the Registrar of Voters of precincts, polling places and election officers for the said Presidential Primary Election.

The ballots to be used at said special election shall be the ballots to be used at said Presidential Primary Election and reference is hereby made to the notice of election setting forth the voting precincts, polling places and officers of election by the Registrar of Voters for the Presidential Primary Election to be published in the San Francisco Chronicle on or about May 25, 1956.

Section 5. On the ballots to be used at such special election and on the voting machines used at said special election, in addition to any other matter required by law to be printed thereon, shall appear thereon the following:

"Hall of Justice Bonds, 1956. To incur a bonded indebtedness in the sum of \$19,475,000 for the acquisition, construction and completion of a hall of justice, including lands, structures and all other works, properties and appurtenances necessary or useful for such hall of justice, all within the City and County of San Francisco."

To vote for the proposition where ballots are used, and to incur the bonded indebtedness to the amount of and for the purposes stated herein, stamp a cross (x) in the blank space to the right of the word "Yes." To vote against the proposition and thereby refuse to authorize the incurring of a bonded indebtedness to the amount of and for the purposes stated herein, stamp a cross (x) in the blank space to the right of the word "No."

Where voting machines are used at said special election the said voting machines shall be so arranged that any qualified elector may vote for the proposition by pulling down a lever over the word "Yes" under or near a statement of the proposed proposition appearing on cardboard, paper or other material placed on the front of the machine and said act shall constitute a vote for the proposition, and by pulling down a lever over the word "No" under or near a statement of the proposed proposition appearing on cardboard, paper or other material placed on the front of the machine, shall constitute a vote against the proposition. Said voting machines and the preparation of the same shall comply in all respects with the provisions of law.

Section 6. If at such special election it shall appear that two-thirds of all the voters voting on said proposition voted in favor of and authorized the incurring of a bonded indebtedness for the purposes set forth in said proposition, then such proposition shall have been accepted by the electors, and bonds shall be issued to defray the cost of the municipal improvement described herein. Such bonds shall be of the form and character known as "serials," and shall bear interest at a rate not to exceed 6 per centum per annum, payable semiannually.

Section 7. For the purpose of paying the principal and interest on said bonds, the Board of Supervisors shall, at the time of fixing the general tax levy and in the manner for such general tax levy provided, levy and collect annually each year until such bonds are paid, or until there is a sum in the Treasury of said city and county set apart for that purpose to meet all sums coming due for the principal and interest on said bonds, a tax sufficient to pay the annual interest on such bonds as the same becomes due and also such part of the principal thereof as shall become due before the proceeds of a tax levied at the time for making the next general tax levy can be made available for the payment of such principal.

Section 8. This ordinance shall be published once a day for at least seven (7) days in the San Francisco Chronicle, a newspaper published daily in the City and County of San Francisco, being the official newspaper of said city and county and such publication shall constitute notice of said election and no other notice of the election hereby called need be given.

APPROVED, as to form:
DION R. HOLM, City Attorney.

Passed for Second Reading—Board of Supervisors, San Francisco, April 2, 1956.

Ayes: Supervisors Blake, Carberry, Casey, Dobbs, Ertola, Ferdon, Halley, McCarty, McMahan, Rolph.

Absent: Supervisor McAteer. JOHN R. McGRATH, Clerk.

Read Second Time and Finally Passed—Board of Supervisors, San Francisco, April-9, 1956.

Ayes: Supervisors Blake, Carberry, Casey, Dobbs, Ertola, Ferdon, McCarty, McMahan, Rolph.

Absent: Supervisors Halley, McAteer.

I hereby certify that the foregoing ordinance was finally passed by the Board of Supervisors of the City and County of San Francisco.

JOHN R. McGRATH, Clerk.

Approved: April 11, 1956.

GEORGE CHRISTOPHER, Mayor

ARGUMENT FOR PROPOSITION A

Vote "Yes" on a New Hall of Justice

For greater protection of the lives and property of our citizens, San Francisco desperately needs a new Hall of Justice. This building will house eleven criminal and traffic courts, the police and six other departments, the city prison and county detention jail.

The present Hall of Justice was built in 1912. It was suitable for the need of those days when the population of the city was 437,000; but that population has increased to over 807,000.

The effect of this rapid growth on the various municipal departments and criminal courts, and particularly on the Police Department, is demoralizing. When the Hall was built, the personnel of the Police Department was 944; it is now 1817. Officers assigned to the various details, such as homicide, robbery and burglary details are crowded into small quarters. The city prison is grossly inadequate for the number of prisoners it has to handle. The State Board of Corrections says it is suitable for only 80 prisoners, but it is forced to handle a daily average of 280. Prisoners being transported to and from the courts must be mingled with the general public in open corridors. The State Board of Corrections has criticized the prison, and its criticisms are valid, but the evils cannot be cured in the present building.

The criminal courts suffer similar frustrations. There being no room for two of the three traffic courts in the Hall of Justice, these courts are in the City Hall and prisoners being tried there are often transported as many as four times daily between the City Prison and the City Hall. For lack of space, the Traffic Fines Bureau has to be located in the City Hall. Prisoners are herded into the criminal courts at the Hall of Justice in groups of twenty or thirty at a time, because of want of waiting rooms. This lowers the dignity of the courtroom and affords opportunity for escape, which has happened.

The above are only a few examples of present inadequacies chosen from a great many others. Study has shown that it is not practical to attempt to remedy those evils by remodeling or adding to the present structure. The only feasible solution is a new building.

The new building will house all departments dealing with criminal activities, including police administration, city prison, the Sheriff's holding jail, eight municipal and superior criminal courts, three traffic courts, District Attorney, Sheriff's office, Coroner, Criminal Division of the County Clerk's

office, Public Defender and Adult Probation Department. Into the police section will be absorbed the present juvenile Bureau, the Southern Police Station and the Police Academy. While there will be no feather-bedding in the jails, they will be expanded to meet the demands for adequate space, segregation and sanitation. The courts will include the traffic units now located in the City Hall. Placing all these units under one roof will make for economy of effort and time by citizens and officials dealing with law enforcement matters.

The new building will save annual rentals of \$76,680 now being paid for private building quarters occupied by the District Attorney, Public Defender and Adult Probation Office. It will restore to the tax rolls or for city use properties valued by the City Real Estate Department at \$317,500 after present buildings are razed.

The proposed new building would consist of seven and one-half stories and adequate parking space to meet public demand.

The estimated maximum cost of the new Hall of Justice is \$19,475,000. This includes land, building and equipment. It will provide 585,500 square feet of building space and 132,700 square feet of parking area.

The Police Department will occupy only 63.6% of the gross area of the building, or 58% in cost. If the Police Department should seek a building for itself alone, the cost could be cut almost in half. Such action would, however, be both unrealistic and uneconomic for the city because the other departments and courts are equally important and must be provided for. If these other units were eliminated from this building, the city would have to face a series of building demands. By far the cheaper way is to combine them once and for all. The building will prove itself over the years to be a wise and sound investment.

Plans for the new Hall of Justice are the culmination of a great deal of thought by numerous persons and organizations, all solicitous for the welfare of the city. We urge you to support them in their efforts to provide this new civic building as indispensable to meet our city's pressing needs and to provide efficient service to its citizens.

Vote "Yes" on Proposition A

A "Yes" vote on Proposition A is endorsed by:

Mayor George Christopher
Walter A. Haas, Chairman, Citizens' Committee for the New Hall of Justice
Joseph A. Moore, Jr., Vice-Chairman, Citizens' Committee for the New Hall of Justice
San Francisco Police Commission:
Harold R. McKinnon, President;
Paul A. Bissinger; Thomas J. Mellon
Chief of Police Francis J. Ahern
District Attorney Thomas C. Lynch
George W. Johns, Secretary, San Francisco Labor Council
Daniel F. Del Carlo, Secretary-Treasurer, San Francisco Building and Construction Trades Council
Clayton W. Horn, Judge of the Municipal Court
Sheriff Dan Gallagher

Judges of the Superior Court
San Francisco Women's Chamber of Commerce
San Francisco Labor Council
Civic League of Improvement Clubs and Associations
The following members of the San Francisco Municipal Conference:
Building Owners & Managers Association
Downtown Association
California Northern Hotel Association
San Francisco Chamber of Commerce
San Francisco Junior Chamber of Commerce
San Francisco Real Estate Board
Retail Dry Goods Association
Retail Merchants Association

On April 9, 1956, the Board of Supervisors authorized the foregoing argument for inclusion in the election pamphlet for June 5, 1956, by the following vote:

Ayes: Supervisors Blake, Carberry, Casey, Dobbs, Ertola, Ferdon, McCarty, McMahan, Rolph.

Absent: Supervisors Halley, McAteer.

JOHN R. McGRATH, Clerk
Board of Supervisors.

ARGUMENT AGAINST PROPOSITION A

A Wasteful, Extravagant Scheme—Vote No

Proposition "A," the \$22,980,500 Hall of Justice bond scheme, is a wasteful and extravagant proposal. It is not a proper solution to the housing of San Francisco courts and law enforcement agencies. Proposition "A" would cost the taxpayers of San Francisco \$1,532,033 per year for the next 15 years, an increase of 12.4 cents in the tax rate! And for what? Not for improved public service—just lavish extravagance. Just the cost of operating the proposed building would exceed by \$40,594 the present costs for rents and maintenance.

The centrally located Hall of Justice which has served the City for so many years can easily be enlarged and modernized to house all law enforcement agencies for just a fraction of this proposed cost, and without general obligation bonds! A new, efficient building for courts could be constructed at a reasonable figure, and other departments could be consolidated in released City Hall space.

Vote "No" on Proposition "A" a Wasteful, Extravagant Scheme!

This argument is sponsored by the San Francisco Taxpayers' League.
JOSEPH A. BROWN, President.

CONTROLLER'S STATEMENT PURSUANT TO CHARTER SECTION 183 PROPOSITION "A"

HALL OF JUSTICE BONDS, 1956. TO INCUR A BONDED INDEBTEDNESS IN THE SUM OF \$19,475,000 FOR THE ACQUISITION, CONSTRUCTION AND COMPLETION OF A HALL OF JUSTICE WITHIN THE CITY AND COUNTY OF SAN FRANCISCO.

Should the proposed \$19,475,000 Hall of Justice Bonds, 1956, be authorized and when all bonds shall have been issued, it is estimated that the cost of debt service will be as follows:

Bond redemption requirement.....	\$19,475,000
Interest requirement	3,505,500
	<hr/>
Total debt service requirement.....	\$22,980,500
	<hr/>

It is estimated that the average amount required to pay the interest thereon and the redemption thereof would be approximately \$1,532,033 per year for fifteen years.

In addition thereto and on the basis of preliminary information from the Department of Public Works, it is estimated that the expense of operating and maintaining said Hall of Justice will approximate an average of \$40,594 annually in excess of the current expense of rents, operation and

maintenance of existing structures housing the departments that will be moved to the new Hall of Justice.

Based on the current assessment roll, the above annual costs for debt service and increase cost of operation and maintenance are equal to twelve and four tenths cents in the tax rate.

HARRY D. ROSS, Controller,
City and County of San Francisco.

CHARTER AMENDMENT PROPOSITION B

Amends Charter Section 172.1, relating to the provisions for participation in the benefits of the Health Service System established by this section.

Describing and setting forth a proposal to the qualified electors of the City and County of San Francisco to amend the charter of said city and county by amending Section 172.1 thereof, relating to the health service system.

The Board of Supervisors of the City and County of San Francisco hereby submits to the qualified electors of said city and county at an election to be held therein on June 5, 1956, a proposal to amend the charter of said city and county by amending Section 172.1 thereof, so that the same shall read as follows:

NOTE: Additions or substitutions are indicated by bold-face type; deletions are indicated by ((double parentheses)).

Section 172.1. Subdivision 1. A health service system for municipal employees is hereby established. Said system shall be administered by a board to be known as the health service board. The members of the system shall consist of all employees of the city and county who are members of the retirement system and all teachers and employees of the board of education who are members of said retirement system. Any employee who adheres to the faith or teachings of any recognized religious sect, denomination or organization and, in accordance with its creed, tenets or principles, depends for healing upon prayer in the practice of religion shall be exempted from the system upon filing annually with the health service board an affidavit stating such adherence and dependence and disclaiming any benefits under the system. The board shall have the power to exempt any person whose annual compensation exceeds forty-five hundred dollars (\$4,500) and any person who has otherwise provided for adequate medical care.

Subdivision 2. The health service board shall consist of nine members elected by the members of the system. The first members of the board shall classify themselves by lot so that three shall serve for one year, three for two years and three for three years from and after May 15, 1937. Thereafter the term of office shall be three years. The president of the board shall act as the appointing officer under the civil service provisions of this charter for the appointing, disciplining and removal of such employees as may be authorized by the board. Each member of the board shall give bond in the sum of ten thousand dollars (\$10,000), the premium on which shall be paid out of the funds of the system. Vacancies shall be filled for

the unexpired term by a majority vote of the remaining members of the board. Members of the board shall be nominated by a written nomination of twenty members filed with the registrar of voters not earlier than April 1st nor later than April 15th of each year. The registrar of voters shall prepare ballots and shall furnish the same to all members of the system between April 15th and April 25th and shall receive the ballots between April 25th and May 7th and canvass and certify the results on May 8th. The registrar of voters shall have power to make such regulations respecting the form, distribution and canvassing of the ballots as may be necessary to secure secrecy of the ballots and prevent fraud. The persons equal in number to the number to be elected who receive the greatest number of votes shall be declared elected. Not more than one employee of any one department or office may be a member of the board. For the purpose of the first election, all employees eligible for membership in the system shall be deemed members.

Subdivision 3. The board shall have power:

(a) By a two-thirds vote of the entire membership of the board to adopt a plan or plans for rendering medical care to members of the system, or for the indemnification of the cost of said care, or for obtaining and carrying insurance against such costs, provided:

1. No member of the system shall be required to accept the services or medical supplies of any physician, surgeon, person licensed to treat human diseases without the use of drugs, dentist, nurse, pharmacist or hospital selected by the board, but, subject to rules and regulations of the board, every member shall have the right to select, of his own choice, any duly licensed physician, surgeon, person licensed to treat human diseases without the use of drugs, dentist, nurse, pharmacist, hospital or other agency of medical care as herein defined, who or which will render the required services pursuant to said rules and regulations, and the board shall make provision for the exercise of such choice; and is hereby expressly prohibited from entering into any exclusive contract for the rendering of said services;

2. Any duly licensed physician, surgeon, person licensed to treat human diseases without the use of drugs, dentist, nurse, pharmacist, hospital or other agency of medical care shall have the right to furnish such services or medical supplies at uniform rates of compensation to be fixed by the board;

3. Such rates of compensation and any and all proposed contracts respecting the rendering of such services shall be reviewed by the retirement board of the city and county and shall not become effective unless and until approved by the retirement board. The retirement board may approve, refer to the health service board for further consideration, or disapprove any matter or proposal which is within its jurisdiction under the provisions of this section, and it shall act within sixty (60) days after any matter has been submitted to it, and failure of the retirement board to approve, refer or disapprove the same within said period shall constitute an approval.

4. In January of each year, at public hearings, the health service board shall review and determine the adequacy of medical care provided for members of the system and the adequacy of fee schedules and the compensation paid for all services rendered and it may make such revisions therein as it deems equitable. Any such determination or revision shall be subject to review by the retirement board upon an appeal taken within thirty (30) days thereafter by a written petition filed with the retirement board and signed

by not less than fifteen per cent (15%) of the members of the system or by not less than fifteen per cent (15%) of those of any one of the following groups who have contracted to render services to the members of the system: Physicians and surgeons; persons licensed to treat human diseases without the use of drugs; dentists; nurses; pharmacists; hospitals; other agencies of medical care. A copy of such petition shall also be filed with the health service board at the same time. The retirement board may approve or disapprove such determination or revision of the health service board by a majority of its members or refer the same to the health service board for further consideration. Failure of the retirement board to approve, refer or disapprove such determination or revision within sixty (60) days after filing the petition shall constitute an approval.

5. The health service board shall receive, consider and, within sixty (60) days after receipt, act upon any matter pertaining to the administration, operation or conduct of the health service system submitted to it in writing by any member of the system or any person who has contracted to render medical care to the members of the system.

6. The said retirement board is hereby authorized and empowered and it is hereby made its duty to exercise the powers and to perform the duties prescribed for it by this section.

(b) To put said plans into effect and to conduct and administer the same and, for all or any of said purposes, to contract therefor and use the funds of the system.

(c) To make rules and regulations for the transaction of its business, the granting of exemptions and the admission to the system of persons who are hereby made members thereof and such other officers and employees as may voluntarily become members of the system with the approval of the board.

(d) To appoint a medical director and such other employees as may be necessary. The compensation of the medical director shall be fixed by the board and he shall hold office at its pleasure. The employees, other than the medical director, shall be subject to the civil service provisions of the charter, provided that all employees who are actually employed or who may be on military leave of absence from employment on the effective date of this amendment and who have been continuously employed for one year immediately preceding such date or such military leave of absence shall be continued in their respective positions and classifications as if appointed thereto after examination and certification from a civil service list of eligibles and shall thereafter be governed by and be subject to the civil service provisions of this charter. Prior to July 1st in each year the health service board shall fix the compensation of its employees, which compensation shall be the same as the rates of compensation fixed by the board of supervisors, under the provisions of section 151 of this charter, for similar classifications and services in other city and county departments. The health service board shall submit to the board of supervisors prior to July 1st of each year a list of the positions established under the health service board, and such positions and the compensation therefor shall be enumerated in the annual salary ordinance. Payrolls covering such positions shall be governed by section 150 of the charter.

(e) To make provision for the participation in the benefits of the system by the dependents of members, retired municipal employees, ((and)) temporary municipal employees, teachers and other employees of the board

of education retired under the retirement system, and resigned employees of the city and county and resigned teachers and employees of the board of education whose resignations occur after June 15, 1955, and within thirty days immediately prior to the date on which, but for their resignations, they would have become retired members of the retirement system; provided that such participation shall be without cost to the city and county. A resigned employee or teacher is one whose employment has terminated other than by retirement, discharge or death. The purpose of empowering the board to make provision for the participation in the benefits of the system by the aforementioned resigned teachers and employees of the board of education is to enable them, subject to the board's exercise of its power, to participate in the benefits of the system after transferring to the State Teachers' Retirement System from the city and county's retirement system. The purpose of empowering the board to make provision for participation in the benefits of the system by the aforementioned resigned employees of the city and county is so that the board will have power to treat them the same as it treats resigned teachers and employees of the board of education.

Subdivision 4. The board shall determine and certify to the controller the amount to be paid monthly by the members of the system to a fund for the purposes of the system hereby created. The controller shall deduct said sums from the compensation of the members and shall deposit the same with the treasurer of the city and county to the credit and for the use of the system.

Such deductions shall not be deemed to be a reduction of compensation under any provision of this charter. The board shall have control of the administration and investment of the funds, provided that all investments shall be of the character legal for insurance companies in California. Disbursements from the fund shall be made only upon audit by the controller and the controller shall have and exercise the accounting and auditing powers over the funds of the system which are vested in him by this charter with respect to all other municipal boards, officers and commissions.

Subdivision 5. The term "medical care" shall include the services of physicians, surgeons, nurses, persons licensed to treat human diseases without the use of drugs, hospitalization, medicines and appliances, and dental, optical and other medical treatments and services.

All acts performed and services rendered under the provisions of this section shall be performed in accordance with the provisions as to professional conduct prescribed by the statutes of the State of California regulating such professional conduct and services.

Medical care, as defined in this section, shall not be furnished or supplied to any member of the system by or in any of the public health and hospital facilities of the city and county, except that emergency medical and hospital care may be rendered to any member of the system in the usual course of emergency health service.

Subdivision 6. Members of the system shall have and possess no claim or recourse against any of the funds of the municipality by virtue of the adoption or operation of any plan for rendering medical care, indemnifying costs of said care or carrying insurance against such costs, but the claim and recourse of any such member shall be limited solely to the funds of the system. All expenses of the system shall be borne exclusively by the funds

of the system and the city and county shall not appropriate or contribute funds in any manner for the purposes of the system hereby established and provided.

Ordered submitted: Board of Supervisors, San Francisco, February 20, 1956.

Ayes: Supervisors Blake, Carberry, Casey, Dobbs, Ertola, Ferdon, Halley, McAteer, McCarty, McMahan, Rolph.

I hereby certify that the foregoing charter amendment was ordered submitted by the Board of Supervisors of the City and County of San Francisco.

JOHN R. McGRATH, Clerk.

ARGUMENT FOR PROPOSITION B

To Provide for Continued Health Service System Membership for Certain Employees and Teachers Who Withdraw from the San Francisco Retirement System

This amendment would permit San Francisco City and County and School District employees who withdraw from local retirement systems to retain membership in the San Francisco Municipal Employees' Health Service.

This Service is fully sustained by the contributions of members, no monies being contributed from City funds. Therefore, no burden would devolve upon the City by retaining members who choose a retirement plan other than a local one. Some, whose term of service has been short, find the Old Age Pension more advantageous than retirement benefits. Many teachers can receive a more adequate pension from the State than from the City. These prospective annuitants have, during their years of service, been paying into the Health Service System. In most cases their age renders them ineligible for health coverage elsewhere. These employees seek the privilege of continuing to pay into the Municipal Employees' Health Service and of being retained as members on the same basis as other retired employees.

This amendment has the full approval of the San Francisco Municipal Employees' Health Service, the Federation of Municipal Employees and the San Francisco Board of Education.

This argument is sponsored by the Teachers' Association of San Francisco.

ELIZABETH C. MURPHY, Secretary.

On April 2, 1956, the Board of Supervisors authorized the foregoing argument for inclusion in the election pamphlet for June 5, 1956, by the following vote:

Ayes: Supervisors Blake, Carberry, Casey, Ertola, Ferdon, Halley, McCarty, McMahan, Rolph.

Absent: Supervisors Dobbs, McAteer.

JOHN R. McGRATH, Clerk,
Board of Supervisors.

CHARTER AMENDMENT PROPOSITION C

Amends Charter Section 175, relating to nomination of elective officers in municipal elections of the City and County of San Francisco.

Describing and setting forth a proposal to the qualified electors of the City and County of San Francisco to amend the Charter of the said city and county by amending Section 175, relating to nomination of elective officers.

The Board of Supervisors of the City and County of San Francisco hereby submits to the qualified electors of said city and county at an election to be held therein on June 5, 1956, a proposal to amend the charter of said city and county by amending Section 175 thereof so that the same shall read as follows:

Note: Additions or substitutions are indicated by bold face type; deletions are indicated by ((double parentheses)).

Nomination of Elective Officers

Section 175. The name of a candidate for an elective office shall be printed upon the ballot when a declaration of candidacy and certificates of not less than ten nor more than twenty sponsors shall have been filed on his behalf, and when the nomination shall be made in the following manner: The candidate, not more than ((fifty)) **sixty** days before the municipal election in November, shall file with the registrar a declaration of his candidacy, in the form prescribed by the registrar for all candidates, including statements of his qualifications in not to exceed one hundred words, subscribed by him before the registrar. The registrar shall forthwith certify to the said subscription and its date and retain and file the declaration. The candidate shall pay to the registrar at the time of filing his declaration of candidacy the sum of thirty dollars (\$30). After said declaration shall have been signed, certified and filed, and not later than ((thirty-five)) **forty-five** days before said election in November, not less than ten nor more than twenty sponsors for the said candidate, who are electors of the city and county qualified to vote at the said municipal election, shall appear before the registrar and shall certify under oath to the qualifications of the said candidate on a form of certificate prescribed by the registrar for all sponsors of all candidates. **The candidate shall have the right to reject any unsolicited sponsor.**

In the event the registrar shall refuse to file such declaration of candidacy or certificate of a sponsor thereof, he shall forthwith designate in writing on the declaration or certificate the defect thereof, or other reason for refusing to file the same, and shall return the same to the party tendering it. No defect in any declaration or certificate presented to the registrar shall prevent the filing of another declaration or certificate within the period allowed for presenting the declaration or certificate. The name of every candidate who has been duly and regularly nominated shall be placed on the ballot under the title of the office for which he is a candidate, provided that a candidate whose nomination has been completed, may, not less than ((thirty)) **forty** days before a municipal election, withdraw as a candidate by filing with the registrar his withdrawal, naming the office; such withdrawal must be signed and sworn to by the person withdrawing.

The name of every candidate who has been nominated for office as hereinbefore provided shall be placed on the ballot in alphabetical order in accordance with the initial letter of his surname, under the heading of the office for which said candidate has been nominated in the following manner: The name of the candidate highest on the alphabetical list of candidates for any particular office shall be printed first on the ballot under the proper heading for said office in the lowest numbered assembly district in the city and county. Thereafter, in each succeeding assembly district, the name of the candidate appearing first for said office in the last preceding district shall be placed last and the order of the names of the other candidates for said office shall remain unchanged.

In the event that the number of candidates in any group shall exceed the number of assembly districts in the city and county then the total number of candidates in such group shall be divided by the number of assembly districts and the quotient of said division, if an integral number, or, if it be a fractional number, then the next highest integral number, shall be the number of candidates to be taken from the beginning of the list of said candidates and placed at the end of said list of candidates in each succeeding assembly district.

Immediately under the name of each candidate and not separated therefrom by any line may appear, at the option of the candidate, one of the following designations:

(a) Words designating the city, county, district or state office which the candidate then holds.

(b) If the candidate be a candidate for the same office which he then holds, and only in that event, the word "incumbent."

(c) The word designating the profession, vocation or occupation of the candidate. The profession, vocation or occupation so designated shall be the same as appears in the affidavit of registration of the candidate.

In all cases words so used shall be printed in eight-point roman boldface capitals and lower-case type.

No incumbent shall have any further preference in the location of his name on said ballot unless the same is permitted by this section.

((The provisions of this section shall not be applicable to candidates for the office of the United States senator, representatives in Congress, state officials, members of the state senate or assembly, delegates to be selected at any presidential or state primary election, judges of the superior court, or judges of the municipal court.))

The registrar shall preserve in his office for a period of four years all candidates' declarations and all sponsors' certificates filed in accordance with this section.

Ordered submitted: Board of Supervisors, San Francisco, March 12, 1956.

Ayes: Supervisors Blake, Carberry, Casey, Dobbs, Ertola, Ferdon, Halley, McAteer, McCarty, McMahan, Rolph.

I hereby certify that the foregoing charter amendment was ordered submitted by the Board of Supervisors of the City and County of San Francisco.

JOHN R. McGRATH, Clerk.

CHARTER AMENDMENT PROPOSITION D

Amends Charter Section 10; fixes salary of members of Board of Supervisors.

Describing and setting forth a proposal to the qualified electors of the City and County of San Francisco to amend the charter of said city and county by amending Section 10 thereof, relating to salaries of members of the board of supervisors.

The Board of Supervisors of the City and County of San Francisco hereby submits to the qualified electors of said city and county at an election to be held therein on June 5, 1956, a proposal to amend the charter of said city and county by amending Section 10 thereof so that the same shall read as follows:

Note: Additions or substitutions are indicated by bold-face type; deletions are indicated by ((double parentheses)).

Number, Compensation and Meetings of Supervisors

Section 10. The board of supervisors shall consist of eleven members elected at large, provided that for the period January 8, 1932, to January 8, 1934, the board shall consist of fifteen members. Each member of the board shall be paid a salary of ((twenty-four)) **forty-eight** hundred dollars ((((\$2,400))) **(\$4,800)**) per year, and each shall execute an official bond to the city and county in the sum of five thousand dollars (\$5,000).

At twelve o'clock noon on the 8th day of January next following their election, the newly elected and continuing members of the board of supervisors shall meet at the legislative chamber in the City Hall, and thereafter regular meetings shall be held as fixed by resolution. The supervisors constituting the new board shall, on January 8, 1932, and every second year thereafter, elect one of their number as president of the board for a two-year term. The president shall preside at all meetings, shall appoint all standing and special committees of the board and shall have such other powers and duties as the supervisors may provide.

The meetings of the board shall be held in the City Hall, provided that, in case of emergency, the board, by resolution, may designate some other appropriate place as its temporary meeting place. The board shall cause a calendar of the business scheduled for each meeting to be published and shall keep and publish a journal of its proceedings. Notice of any special meeting shall be published at least twenty-four hours in advance of such special meeting.

Ordered submitted: Board of Supervisors, San Francisco, March 12, 1956.

Ayes: Supervisors Blake, Carberry, Casey, Dobbs, Ertola, Ferdon, Halley, McAteer, McCarty, McMahan, Rolph.

I hereby certify that the foregoing charter amendment was ordered submitted by the Board of Supervisors of the City and County of San Francisco.

JOHN R. McGRATH, Clerk.

ARGUMENT FOR PROPOSITION D

Proposed Charter Amendment Section 10, Relating to Compensation for Members of the Board of Supervisors

A "Yes" vote is urged on Proposition D, which provides for a total salary of \$400 per month for members of the Board of Supervisors.

San Francisco Supervisors were paid \$200 per month in 1912 and have not received any increase in salary in the 44 years since that time.

Vote Yes on Proposition D

Conducting the business of the City and County of San Francisco is a big business and is the largest business, private or public, in Northern California. The members of the Board serve the people well, many times at personal sacrifice.

The duties of the Board of Supervisors have increased many times over since 1912. San Francisco is the only county in which the Board of Supervisors conducts both city and county business.

Vote Yes on Proposition D

In the interests of good government and fairness, grant the members of your Board of Supervisors their first increase in salary in 44 years.

Vote Yes on Proposition D

This argument is sponsored by the Citizens' Committee for Proposition D:

A. Brooks Berlin, Chairman
Lloyd Graybiel
Gardner Griffith
Dr. H. A. Tagliaferri
Mrs. Ann S. Dippel
Mrs. John J. Murray
Mrs. Jean B. Henno
Maurice Uglow

Wm. White
Mrs. Rose White
Dr. L. R. Ludwigsen
Fred Dettmering
Clarence Guttner
Charles E. Walker
Evelyn LaPlace
Mrs. Emily Martin

A "Yes" vote on Proposition "D" is endorsed by:

Building Owners and Managers Association
Apartment House Association of San Francisco, Inc.
Downtown Association
Retail Merchants Association
San Francisco Federation of Municipal Employees
Civil Service Association of San Francisco
San Francisco Labor Council

San Francisco Chamber of Commerce
California Northern Hotel Association
Hotel Employers Association of San Francisco
San Francisco Real Estate Board
San Francisco Junior Chamber of Commerce
San Francisco County Nurses' Association

On April 2, 1956, the Board of Supervisors authorized the foregoing argument for inclusion in the election pamphlet for June 5, 1956, by the following vote:

Ayes: Supervisors Blake, Carberry, Casey, Ertola, Ferdon, Halley, McCarty, McMahan, Rolph.

Absent: Supervisors Dobbs, McAteer.

JOHN R. McGRATH, Clerk,
Board of Supervisors.

**CONTROLLER'S STATEMENT PURSUANT TO CHARTER SECTION 183
PROPOSITION "D"**

CHARTER AMENDMENT, SECTION 10, INCREASING SALARY OF MEMBERS OF THE BOARD OF SUPERVISORS FROM \$2,400 TO \$4,800 EACH PER YEAR.

Should Proposition "D" be enacted, it is estimated that the cost of government would be increased \$26,400.00 each year. Based on the current assessment roll, said amount of \$26,400.00 will be equivalent to an increase of two tenths cents in the tax rate.

HARRY D. ROSS, Controller,
City and County of San Francisco.

**CHARTER AMENDMENT
PROPOSITION E**

Amends Charter Section 222, relating to prohibited practices of officers and employees of the City and County of San Francisco.

Describing and setting forth a proposal to the qualified electors of the City and County of San Francisco to amend the charter of said city and county by amending Section 222 thereof, relating to prohibited practices of officers and employees.

The Board of Supervisors of the City and County of San Francisco hereby submits to the qualified electors of said city and county at an election to be held therein on June 5, 1956, a proposal to amend the charter of said city and county by amending Section 222 thereof, so that the same shall read as follows:

Note: Additions or substitutions are indicated by bold-face type; deletions are indicated by ((double parentheses)):

Prohibited Practices of Officers and Employees

Section 222. No member of any board or commission shall accept any employment relating to the business or the affairs of any person, firm or corporation which are subject to regulation by the board or commission of which he is a member. No supervisor and no officer or employee of the city and county, shall be or become, directly or indirectly, interested in, or in the performance of, any contract, work, or business, or in the sale of any article, the expense, price or consideration of which is payable from the treasury; or in the purchase or lease of any real estate or other property belonging to, or taken by, the city and county, or which shall be sold for taxes and assessments, or by virtue of legal process at the suit of the city and county; nor shall any person in this section designated during the time for which he was elected or appointed, acquire an interest in any contract with, or work done for, the city and county, or any department or officer thereof, or in any franchise, right or privilege granted by the city and county, unless the same shall be devolved upon him by law; nor shall any person mentioned in this section give or promise any money or other valuable thing, or any portion of his compensation, in consideration of his

nomination, appointment, or election to any city and county office or employment; or accept any donation or gratuity in money or other valuable thing, either directly or indirectly, from any subordinate or employee, or from any candidate or applicant for a position as employee or subordinate under him. ((Violation of any of the provisions of this section shall constitute official misconduct.))

No supervisor and no officer or employee of the city and county shall engage in any activity, employment or business or professional work or enterprise which is inconsistent, incompatible, or in conflict with his duties as a supervisor or officer or employee of the city and county or with the duties, functions and responsibilities of his appointing power, or the department, office or agency by which he is employed, or the board or commission of which he is a member.

The Civil Service Commission with respect to officers and employees whose positions are subject to the Civil Service provisions of the Charter other than officers and members of the Fire and Police Departments, the Fire Commission with respect to officers and members of the Fire Department and the Police Commission with respect to officers and members of the Police Department, are each empowered to prescribe and enforce such reasonable rules and regulations as each Commission deems necessary to effectuate the purposes and intent of this section. Such rules and regulations may provide for restrictions against activities, employments and enterprises other than those described or mentioned herein when such restrictions are found necessary for the preservation of the honor or efficiency of the city and county civil service or for the protection of the best interests of the city and county service in any respect.

Violation of any of the provisions of this section shall constitute official misconduct or cause for dismissal and shall subject the violator to the proceedings and penalties provided therefor in the Charter.

Ordered submitted: Board of Supervisors, San Francisco, March 12, 1956.

Ayes: Supervisors Blake, Carberry, Casey, Dobbs, Ertola, Ferdon, Halley, McAteer, McCarty, McMahan, Rolph.

I hereby certify that the foregoing charter amendment was ordered submitted by the Board of Supervisors of the City and County of San Francisco.

JOHN R. McGRATH, Clerk.

ARGUMENT FOR PROPOSITION "E"

Vote Yes on Proposition "E"

This Proposition is the result of the deliberation of the Grand Jury and has received its careful consideration.

This Proposition will prohibit officers and City and County employees from engaging in outside business or professional work which is inconsistent and in conflict with their duties.

A vote for this Proposition is a vote for better government.

This argument is endorsed by the 1956 Grand Jury of the City and County of San Francisco.

FRED PARR COX, Foreman.

On April 9, 1956, the Board of Supervisors authorized the foregoing argument for inclusion in the election pamphlet for June 5, 1956, by the following vote:

Ayes: Supervisors Blake, Carberry, Casey, Dobbs, Ertola, Ferdon, McCarty, McMahan, Rolph.

Absent: Supervisors Halley, McAteer.

JOHN R. McGRATH, Clerk,
Board of Supervisors.

CHARTER AMENDMENT PROPOSITION F

Adds Charter Section 165.3; authorizes relinquishment of retirement allowance rights in the Retirement System by retired persons with retirement status in State Teachers Retirement System of California and provides related procedure.

Describing and setting forth a proposal to the qualified electors of the City and County of San Francisco to amend the charter of said city and county by adding Section 165.3 thereto, relating to relinquishment of San Francisco City and County Employees' Retirement System allowance by certain persons who retired from an employment status in which such persons were members of the State Teachers' Retirement System.

The Board of Supervisors of the City and County of San Francisco hereby submits to the qualified electors of said city and county at an election to be held therein on June 5, 1956, a proposal to amend the charter of said city and county by adding Section 165.3 thereto, reading as follows:

Relinquishment of Certain Retirement Allowances

Section 165.3. Any person who retired under the San Francisco City and County Employees' Retirement System from an employment status in which he was a member of the State Teachers' Retirement System, and whose retirement was effective after June 30, 1955, and not later than ninety days after the effective date of this section, hereby designated as the first day of the month next following its ratification by the legislature, may elect, in writing on a form provided by the retirement system and to be filed at the office of said system within ninety days after the effective date of this section, to relinquish his right to a retirement allowance from said City and County Employees' Retirement System. If such person so elects to relinquish said right, his retirement allowance shall be cancelled forthwith and no payments of such allowance shall be made to him, or on his account, for time on and after the effective date of such election, and such election shall be irrevocable. The San Francisco City and County Employees' Retirement System shall pay or be liable to pay to or on account of such person only an amount equal to the actuarial equivalent, as of the effective date of such relinquishment, and on the basis of the mortality tables and interest rate then used under the system, of the portion of the cancelled allowance which was provided by said person's accumulated contributions at the effective date of his retirement. An amount equal to such actuarial equivalent shall be forwarded forthwith to the Retirement

Annuity Fund of said State Teachers' Retirement System, to be applied on the amount due to said fund from said person under the provisions of Division (7), Chapter 14 of the Education Code of the State of California, but not to exceed the amount so due as may be quoted in a written statement requested of and received from said State Teachers' Retirement System as applied to any person herein involved. Any excess of the actuarial equivalent over said amount so quoted as due shall be paid forthwith to said person.

Ordered submitted: Board of Supervisors, San Francisco, March 12, 1956.

Ayes: Supervisors Blake, Carberry, Casey, Dobbs, Ertola, Ferdon, Halley, McAteer, McCarty, McMahan, Rolph.

I hereby certify that the foregoing charter amendment was ordered submitted by the Board of Supervisors of the City and County of San Francisco.

JOHN R. McGRATH, Clerk.

ARGUMENT FOR PROPOSITION F

Proposition F is sponsored by the San Francisco Board of Education in order to correct a gross inequity which would result to certain teachers due to a technicality relating to their retirement allowance. The 1955 State Legislature amended the State Teachers' Retirement System by liberalizing pension allowances. In order for teachers to enter the State Retirement System it was necessary for those who were to retire to withdraw the money which they had deposited in the San Francisco Retirement System prior to June 30, 1955, and deposit such money as was necessary in the state system. This measure was not passed until late in June and a number of teachers were already away on their vacation and did not take the necessary action. Under the existing provisions of the Charter, they were automatically retired from the city system on July 1st and could no longer withdraw their contributions. This means that, unless relief is given by the Charter amendment, they will not enjoy the same pension allowance as is given to all other teachers who have rendered the same years of service.

Proposition F would rectify this situation and give these teachers an opportunity to enter into the state system.

Proposition F does not cost the San Francisco taxpayers any additional money; as a matter of fact, it saves money as it only permits the withdrawal of the teachers' own contributions.

Proposition "F" is approved by the San Francisco Board of Education.

On April 23, 1956, the Board of Supervisors authorized the foregoing argument for inclusion in the election pamphlet for June 5, 1956, by the following vote:

Ayes: Supervisors Carberry, Casey, Dobbs, Ertola, Ferdon, Halley, McCarty, McMahan, Rolph.

Absent: Supervisors Blake, McAteer.

JOHN R. McGRATH, Clerk,
Board of Supervisors.

20 SAMPLE BALLOT

REFERENCE DEPARTMENT
SAN FRANCISCO
PUBLIC LIBRARY

CONSOLIDATE

Vote Early

Polls Open From
7 A.M. to 8 P.M.

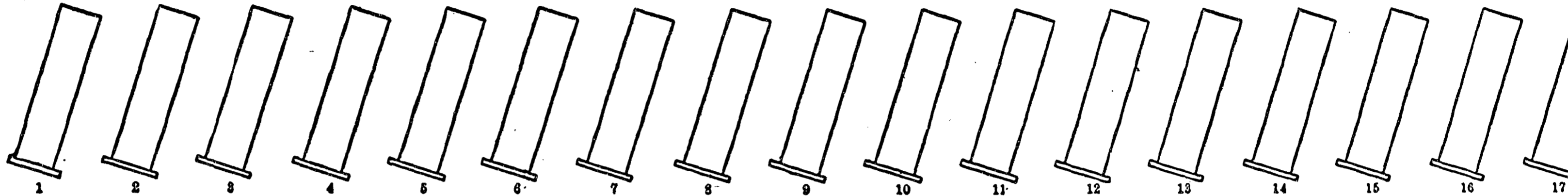
The Voting Machine Will
Record Votes ONLY Where
The Pointers Are Left DOWN.



**DIRECTIONS
FOR VOTING**



1. MOVE RED HANDLE LEVER of VOTING MACHINE TO POSITION OF CHOICE AND LEAVE IT THERE.
2. To vote for the group of candidates preferring a proposition, pull down the pointer for the group name on the BALLOT LABEL CARD, pull down the pointer for each candidate of group preferring such proposition.



REFERENCE DEPARTMENT
SAN FRANCISCO
PUBLIC LIBRARY



YES

PROPOSITION
A



NO

HALL OF JUSTICE BONDS, 1956. To incur a bonded indebtedness in the sum of \$19,475,000 for the acquisition, construction and completion of a hall of justice, including lands, properties and all other works, properties and appurtenances necessary or useful for such hall of justice, all within the City and County of San Francisco.



YES

PROPOSITION
B



NO

Amends Charter Section 172.1, relating to the provisions for participation in the benefits of the Health Service System established by this section.



YES

Amends Charter Section 172.1, relating to the provisions for participation in the benefits of the Health Service System established by this section.



Line C

**Republican
Party
Ballot**

C

**FOR DELEGATES TO
NATIONAL CONVENTION**
VOTE FOR ONE GROUP ONLY



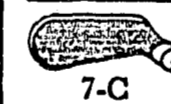
2-C

Candidates Preferring
DWIGHT D. EISENHOWER
Pointer pulled down and left down over his name shall be counted as a vote for all candidates preferring Dwight D. Eisenhower.

REFERENCE DEPARTMENT
SAN FRANCISCO
PUBLIC LIBRARY

4 5 6

United States Senator
VOTE FOR ONE



7-C

Thomas H. Kuchel
United States Senator
Rep.



8-C

Raymond R. Pritchard
Engineer
Rep.



9-C

Samuel William Yorty
Attorney at Law
Dem.



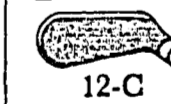
10-C

Tilden W. Johnson
Author
Rep.



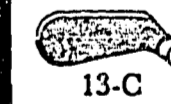
11-C

John F. Shelley
Member of Congress
Dem.



12-C

Al J. Quinn
Public Accountant
Rep.



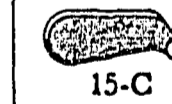
13-C

Thomas A. Maloney
Incumbent
Rep.



14-C

Phillip Burton
Attorney at Law
Dem.



15-C

Achille H. Muschi
Educator
Dem.

**Representative
in Congress**
(5th DISTRICT)
VOTE FOR ONE

Member of Assembly
(20th DISTRICT)
VOTE FOR ONE

REFERENCE DEPARTMENT
SAN FRANCISCO
PUBLIC LIBRARY

D PRIMARY AND SPECIAL MUNICIPAL ELECTION

SLIDE to the **RIGHT** as far as it will go and

the person for Presidential Nominee whose name is printed on the **BALLOT LABEL CARD** by pulling down **THE POINTER OVER THE NAME OF THE CANDIDATE**. By pulling down such pointer, a vote will be counted for that person.

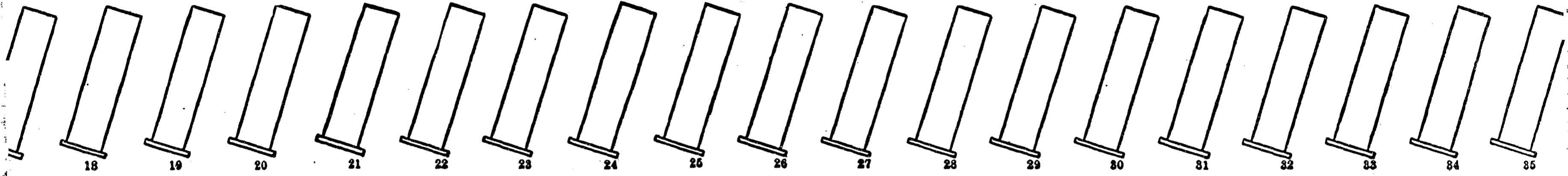
3. **TO VOTE FOR CANDIDATES** of your choice, pull down the **POINTERS** over the names of the **CANDIDATES** for whom you wish to **VOTE** and **LEAVE THEM DOWN**.


4. **TO VOTE** for a person whose name does not appear on the **BALLOT LABEL CARD**, raise the numbered slide at top of machine corresponding to number of office on **OFFICE TITLE CARD**, and write name of candidate on paper under slide. A write-in vote for Delegate to National Convention is not legally permissible. (Do not pull down pointer over name of any candidate in office group in which you intend to write in name of a candidate.)


5. **TO VOTE FOR OR AGAINST PROPOSITION** or "**NO**" as you may desire to vote and **LEAVE THEM DOWN**.


6. **LEAVING THE POINTERS DOWN** as you have them is a vote for the **YES** of the **VOTING MACHINE** to the **LEFT** as far as it is registered.

IF IN DOUBT AS TO OPERATING THE VOTING MACHINE, CONSULT THE **INSPECTOR OR JUDGE OF THE ELECTION**.



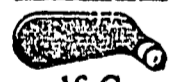
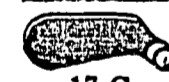

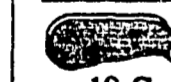
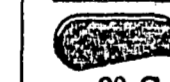
PROPOSITION C

NO
 Amends Charter Section 175, relating to nomination of elective officers of the City and County of San Francisco.

PROPOSITION D

YES
 Amends Charter Section 10; fixes salary of members of Board of Supervisors.

PROPOSITION E

NO
 Amends Charter Section 222, relating to prohibited practices of officers and employees of the City and County of San Francisco.

16 17 18 19 20 21 22 23 24 25 26 27 28 29 30 31 32

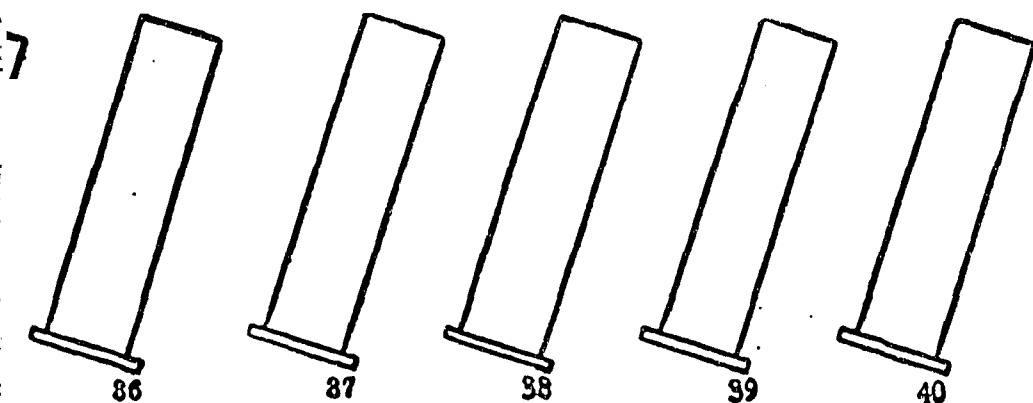
MEMBERS OF COUNTY CENTRAL COMMITTEE (20th DISTRICT) VOTE FOR FIVE

 16-C Byron Blakeman Incumbent	 17-C Earl S. Louie Incumbent	 18-C Charles Rosenthal Incumbent	 19-C Alfred J. Malvino Incumbent	 20-C Raymonde M. Theill Incumbent
---	---	---	---	--

pull DOWN pointers over the words "YES" THEM DOWN.

placed them, move the RED HANDLE LEVER as it will go and you have voted and your vote

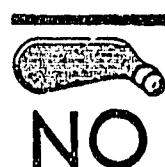
MACHINE, REQUEST INSTRUCTIONS FROM CARD BEFORE ATTEMPTING TO VOTE.



YES

PROPOSITION

F



NO

Adds Charter Section 165.3; authorizes relinquishment of retirement allowance rights in the Retirement System by retired persons with retirement status in State Teachers Retirement System of California and provides related procedure.



CITY AND COUNTY PROPOSITIONS

Vote YES or NO on Each

33	34	35	36	37	38	39	40	41	42	43	44	45	46	47	48	49	50
			Judge of Superior Court Office No. 1 Vote for One	Judge of Superior Court Office No. 2 Vote for One	Judge of Superior Court Office No. 3 Vote for One	Judge of Superior Court Office No. 4 Vote for One	Judge of Superior Court Office No. 5 Vote for One	Judge of Superior Court Office No. 6 Vote for One	Judge of Superior Court Office No. 7 Vote for One	Judge of Superior Court Office No. 8 Vote for One	JUDGE OF SUPERIOR COURT OFFICE No. 9 Vote for One						
			36-C Timothy I. Fitzpatrick Incumbent	37-C William T. Sweigert Incumbent	38-C Harry J. Neubarth Incumbent	39-C Edward Molkenbuhr Incumbent	40-C Clarence W. Morris Incumbent	41-C Orla St. Clair Incumbent	42-C Miguel A. Leite Attorney at Law	43-C C. Harold Caulfield Incumbent	44-C Andrew Jackson Eyman Attorney at Law	45-C Walter Carpeneti Incumbent	46-C Raymond J. Arata Judge, Municipal Court	47-C Joseph Karesh United States Commissioner	48-C William C. McDonnell Attorney at Law	49-C Alvin E. Weinberger Judge, Municipal Court	50-C Carl H. Allen Judge, Municipal Court

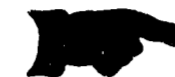
Vote Early

Polls Open From 7 A.M. to 8 P.M.

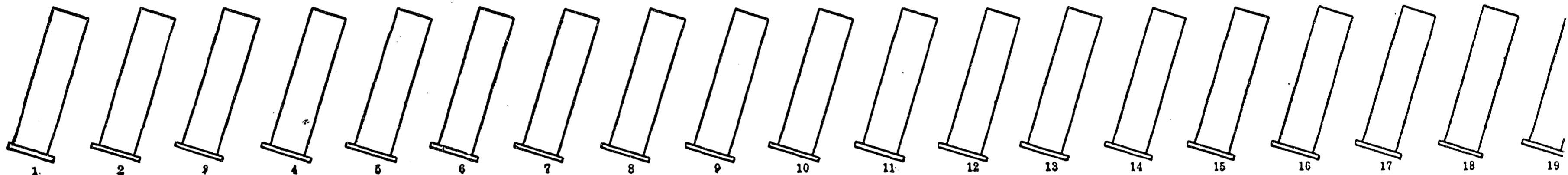
The Voting Machine Will Record Votes ONLY Where The Pointers Are Left DOWN.



DIRECTIONS FOR VOTING



1. MOVE RED HANDLE LEVER of VOTING MACHINE to the RIGHT as LEAVE IT THERE.
2. To vote for the group of candidates preferring a person for Presidential appears on the **BALLOT LABEL CARD**, pull down **THE POINTER OF SUCH PERSON** and **LEAVE IT DOWN**. By pulling down such pointer, a for each candidate of group preferring such person.



YES

PROPOSITION

A



NO

HALL OF JUSTICE BONDS, 1956. To incur a bonded indebtedness in the sum of \$19,475,000 for the acquisition, construction and completion of a hall of justice, including lands, properties and all other works, properties and appurtenances necessary or useful for such hall of justice, all within the City and County of San Francisco.



YES

PROPOSITION

B



NO

Amends Charter Section 172.1, relating to the provisions for participation in the benefits of the Health Service System established by this section.



YES

PROPOSITION

C

Amends Charter Section 175, relating to nomination in municipal elections of the City and County of San Francisco.

FOR DELEGATES TO NATIONAL CONVENTION

VOTE FOR ONE GROUP ONLY

United States Senator

VOTE FOR ONE

Representative in Congress

(4th DISTRICT)
VOTE FOR ONE

Member of Assembly

(22nd DISTRICT)
VOTE FOR ONE

Lines A and B

**Democratic
Party
Ballot**

A

B



2-A

Candidates Preferring

ADLAI E. STEVENSON

Pointer pulled down and left down over his name shall be counted as a vote for all candidates preferring Adlai E. Stevenson.



5-A

Candidates Preferring

ESTES KEFAUVER

Pointer pulled down and left down over his name shall be counted as a vote for all candidates preferring Estes Kefauver.



8-A

Thomas H. Kuchel
United States Senator
Rep.



9-A

Samuel William Yorty
Attorney at Law
Dem.



10-A

Richard Richards
California State Senator
Dem.



11-A

William S. Mailliard
United States Congressman
Rep.



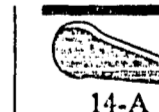
12-A

James L. Quigley
Instructor
Dem.



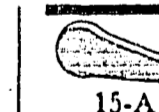
13-A

Bernard R. Brady
Incumbent
Dem.



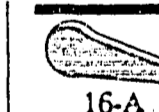
14-A

Delbert L. Barnett
Insurance Broker
Dem.



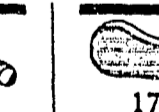
15-A

John A. Busterud
Attorney
Rep.



16-A

Richard Lee Emmons
Jeweler
Dem.



17-A

PRIMARY AND SPECIAL MUNICIPAL ELECTION JUNE 5, 19

far as it will go and

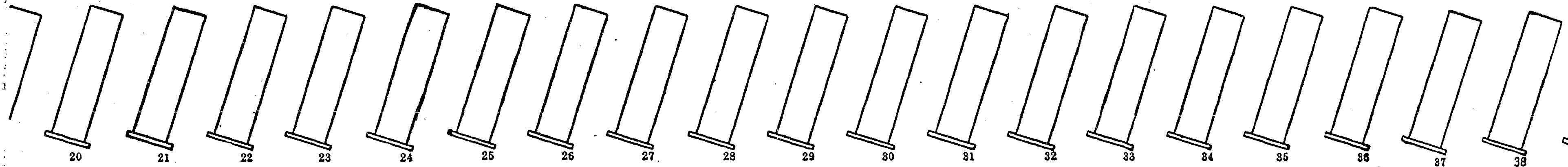
Nominee whose name
ENTER THE NAME OF
vote will be counted

- 3. TO VOTE FOR CANDIDATES** of your choice, pull down the **POINTERS** over the names of the **CANDIDATES** for whom you wish to **VOTE** and **LEAVE THEM DOWN**.
- 4. TO VOTE** for a person whose name does not appear on the **BALLOT LABEL CARD**, raise numbered slide at top of machine corresponding to number of office on **OFFICE TITLE CARD**, and write name of candidate on paper under slide. A write-in vote for Delegate to National Convention is not legally permissible. (Do not pull down pointer over name of any candidate in office group in which you intend to write in name of a candidate.)

5. TO VOTE FOR OR AGAINST PROPOSITIONS, pull **DOWN** pointers over the word or **"NO"** as you may desire to vote and **LEAVE THEM DOWN**.

6. LEAVING THE POINTERS DOWN as you have placed them, move the **RED HAND** of the **VOTING MACHINE** to the **LEFT** as far as it will go and you have voted and is registered.

IF IN DOUBT AS TO OPERATING THE VOTING MACHINE, REQUEST INSTRUCTIONS FROM THE INSPECTOR OR JUDGE OF THE ELECTION BOARD BEFORE ATTEMPTING TO VOTE.



 NO	 YES	PROPOSITION D	 NO	 YES	PROPOSITION E	 NO	 YES	PROPOSITION F
tion of elective officers f San Francisco.		Amends Charter Section 10; fixes salary of members of Board of Supervisors.		Amends Charter Section 222, relating to prohibited practices of officers and employees of the City and County of San Francisco.			Adds Charter Section 165.3; allows allowance rights in the Retirement status in State Teachers' Pension Fund and provides related procedure.	

18 19 20 21 22 23 24 25 26 27 28 29 30 31 32 33 34 35

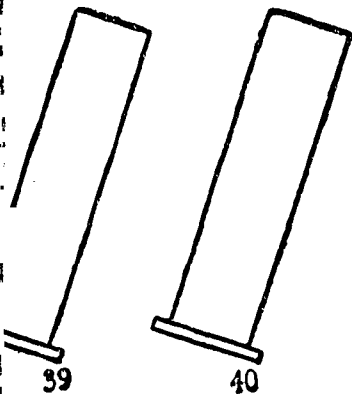
MEMBERS OF COUNTY CENTRAL COMMITTEE (22nd DISTRICT) VOTE FOR FIVE

 18-A Matthew W. Collins	 19-A Lester Swanson Salesman	 20-A Raymond J. McShane Incumbent	 21-A Beverly Axelrod Attorney	 22-A Andrew J. Smyth	 23-A Harold Rice Printer	 24-A Edward Lynch Salesman	 25-A John Sullivan	 26-A George E. McGuire	 27-A Roy A. Lund	 28-A Glen Ackerman Carpenter	 29-A Marshall Axelrod Accountant	 30-A Eldon S. Heckman Warehouseman	 31-A James J. Collins Incumbent	 32-A Max S. Levi Sales Representative	 33-A Hugh J. McMahon Incumbent	 34-A Rosemary Ackerman Secretary	 35-A Jeremiah Murphy Plumber
 18-B Joyce Burnham Housewife	 19-B Bob Ostrow Food Distributor	 20-B John J. Sherry Labor Representative	 21-B Francis E. Cox	 22-B Robert J. Mahoney	 23-B J. Arthur Ragsdale Physicist	 24-B Samuel Bennett Incumbent	 25-B Robert F. O'Connor Salesman	 26-B Ellis Filene Attorney at Law	 27-B Edward E. Heavey Attorney	 28-B Emmett Marrujo Technician	 29-B Henry R. Searle Student	 30-B Philip A. Maloney Newspaperman	 31-B Joseph W. Ferrara Restaurateur	 32-B Emil Johnson Bottler	 33-B James N. Reilly Salesman	 34-B T. Marron (Babe) Pisani Businessman	 35-B Walter W. Marshall Businessman

s "YES"

: LEVER
our vote

FROM
TE.



POSITION
F

NO

Authorizes relinquishment of retirement
ent System by retired persons with
ers Retirement System of California



CITY AND COUNTY PROPOSITIONS

Vote YES or NO on Each

36	37	38	39	40	41	42	43	44	45	46	47	48	49	50
Judge of Superior Court Office No. 1 Vote for One	Judge of Superior Court Office No. 2 Vote for One	Judge of Superior Court Office No. 3 Vote for One	Judge of Superior Court Office No. 4 Vote for One	Judge of Superior Court Office No. 5 Vote for One	Judge of Superior Court Office No. 6 Vote for One	Judge of Superior Court Office No. 7 Vote for One	Judge of Superior Court Office No. 8 Vote for One	JUDGE OF SUPERIOR COURT OFFICE No. 9 Vote for One						
36-A Timothy I. Fitzpatrick Incumbent	37-A William T. Sweigert Incumbent	38-A Harry J. Neubarth Incumbent	39-A Edward Molkenbuhr Incumbent	40-A Clarence W. Morris Incumbent	41-A Orla St. Clair Incumbent	42-A Miguel A. Leite Attorney at Law	43-A C. Harold Caulfield Incumbent	44-A Andrew Jackson Eyman Attorney at Law	45-A Walter Carpeneti Incumbent	46-A William C. McDonnell Attorney at Law	47-A Alvin E. Weinberger Judge, Municipal Court	48-A Carl H. Allen Judge, Municipal Court	49-A Raymond J. Arata Judge, Municipal Court	50-A Joseph Karesh United States Commissioner